

ENDURAPLAS
ADVANTAGE

WATER STORAGE TANK



View all sizes & prices on Enduraplas.com

DESIGNED BETTER. BUILT STRONGER. LASTS LONGER.

FLAT-SPOT™ DORMER

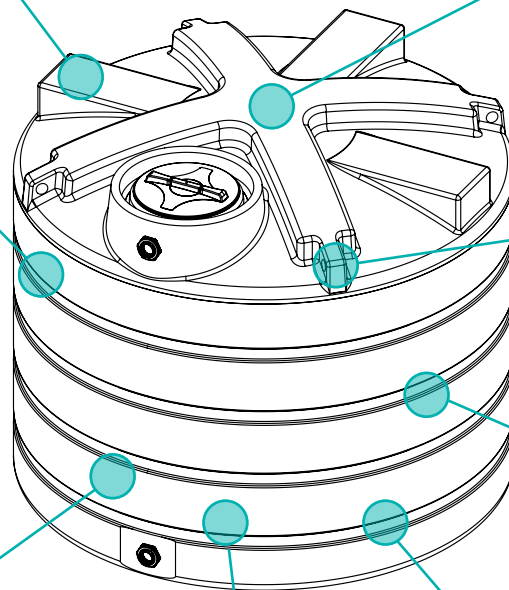
This tank is built with extra heavy-duty spots for plumbing extra tank fittings.

RIBBED-WALL™ STRUCTURE

The ribs act like belts around the tank keeping it in shape. This reduces bulging.

COMPOUND-COLOR™ INGREDIENTS

The tank color is mixed with high density polyethylene using a high-pressure extrusion process. This provides the optimum color distribution to allow even lighter colors to stop light penetration. This process reduces the amount of color pigment making the poly stronger.



UV-PROTECT™ EXTERIOR

This UV resistant material stops high rated sun-rays breaking down the tank side-walls.

STRONG-X™ ROOF DESIGN

The beefed-up roof structure with molded-in truss-like supports eliminates collapsing in the heat of the day.

ANCHOR-POINT™ LUGS

Four hefty built-in lifting and tie-down points at each corner make it easy to handle.

LIGHT-BLOCK™ TECHNOLOGY

Algae needs light to grow. This algae-resistant material keeps the sunlight out and the water pure.

DRINK-SAFE™ MATERIAL

The resin used to build the tank is FDA approved keeping the water safe to drink.

*Double your 5 yr tank warranty when you register this product. *All Enduraplas poly tanks are manufactured in the United States of America.



ENGINEERED FOR ENDURANCE®

www.enduraplas.com
info@enduraplas.com
1 (877) 877-4370